

Spectrum FEZB-H105Q

4MP 10x Explosion Proof Bullet Camera

Key Features

- 1/2.8" Sony CMOS Sensor
- 10x Optical Zoom (4.7mm to 47.0mm) and 32x Digital Zoom
- Digital Noise Reduction
- IP67, IK10
- Supports up to Triple Streams
- H.265, H.264, MJPEG
- Built-in Web Server
- ONVIF Compatibility
- PoE Support
- 316L SS Construction



Description

Spectrum FEZB-H105Q Explosion-Proof camera delivers a maximum Frame Rate of 30fps and 10x Optical Zoom across all resolutions. Enclosed in a 316L Stainless Steel Explosion-Proof housing, it's certified (ATEX & IECEx approved) for use in potentially combustible environments. Lightweight in design, this camera was designed for a single-installer installation.

Specifications

Spectrum FEZB-H105Q

Camera

Image Sensor	1/2.8" Sony CMOS Sensor
Lens	Type: 10x Day & Night Zoom Lens Zoom Ratio: Optical 10x, Digital 32x Focal Length: F = 4.7mm ~ 47.0mm Aperture Ratio: F1.7 (Wide) ~ F3.1 (Tele) Angle of View: Wide = D 69.9° / H 58.3° / V 44.7° Tele = D 8.7° / H 7.1° / V 5.4°
Day and Night	Auto / Day (Color) / Night (BW), ICR Control
Minimum illumination	Color: 0.02 lux / DSS 0.002 lux B/W: 0.005 lux / DSS 0.0005 lux
Shutter speed	Auto (1/30 ~ 1/10,000 sec), Suppress Rolling, Manual
Pixels	Total: 2704 (H) x 2104 (V) = 5.69M Active: 2616 (H) x 1960 (V) = 5.13M
S/N Ratio	More than 50dB (AGC Off)
Privacy Mask	On / Off (16 Positions)
Motion Detection	432 Zone, Sensitivity 1 ~ 5 Step, On / Off
ACE (D-WDR)	Off / Manual / Auto
DNR	2D / 3D, 2D + 3D
Defog	Detects Fog, On / Off
Color Adjust	Brightness / Saturation
White Balance	Auto / Push / User
OSD Display	Text, Date, Time, Event, On / Off
Image Mirror	Normal / Mirror (H) / Flip (V) / Both (HV)

Video

Video Compression	H.265, H.264, MJPEG
Resolution	2560x1440, 1920x1080, 1280x720, 640x480, 640x360
Frame Rate (Max)	30fps at all resolutions
Bitrate Control	H.265, H.264: Bitrate Control MJPEG: Quality Level Control
Video Streaming	Triple Stream (Stream 1, 2, 3) RTP / RSTP, Unicast RTP, Multicast RTP
Web Viewer	IE 11, Firefox, Safari, Opera IE11 or above (Active-X)

Network

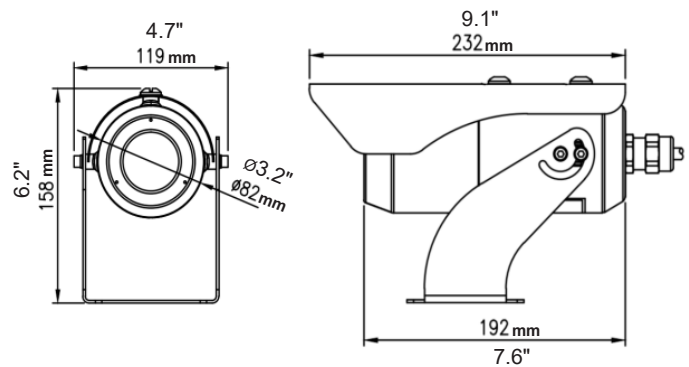
OS	Embedded Linux
Interface	RJ45 10/100 Base-T PoE
Supported Protocols	TCP/IP, UDP/IP, RTP, RTSP, RTCP, NTP HTTP, DHCP, FTP, SMTP, DNS, DDNS
Network Connection	Max. 10 users

System Integration

Application Programming Interface	Onvif Profile S
-----------------------------------	-----------------

General

Casing	Stainless Steel 316L
Weight	7.72 lbs (3.5 kg)
Power Source	12VDC, PoE+, IEEE802.3at, Class 4
Power Consumption	24W Max.
Operating Conditions	-40°C to 60°C (-40°F to 140°F) Humidity 0-90% RH (condensing)
IP Rating	IP67, IK10
Warranty	5-year warranty
Approvals	ATEX & IECEx
Explosion-Proof Certifications	II 2 G Ex db IIC T6 / T5 Gb II 2 D Ex tb IIIC T80°C / T85°C Db
Dimensions	4.7(W) x 6.2(H) x 9.1(D) inches 119(W) x 158(H) x 232(D) mm



Notes:

- 1 - Non-compliant to GB 28181, GB/T 28181 - 2011 standards.
- 2 - No option to activate or deactivate GB/T 28181 standards in the camera web page / settings.

Approvals



MANUFACTURER: Spectrum Camera Solutions, LLC
SPECIALIZING IN EXPLOSION PROOF TECHNOLOGY
8935 ALMEDA GENOA RD. HOUSTON, TEXAS 77075 USA

MODEL: FEZB-H105Q
INPUT:

SERIAL: XXXXXXXXXXXX
YEAR: 20XX

POWER	AMBIENT TEMPERATURE
PDE+ IIEE 802.3at, CLASS4	-40°C ≤ Ta ≤ +55°C (T6 OR T80°C)
DC12V/2A(24W), POC1(15W)	-40°C ≤ Ta ≤ +60°C (T5 OR T85°C)
	-40°C ≤ Ta ≤ +60°C (T6 OR T80°C)



II 2 G Ex db IIC T6/T5 Gb, IP67
II 2 D Ex tb IIIC T80°C/ T85°C Db, IP67



IECEX KTL 24.0019X



WARNING: DO NOT OPEN WHEN ENERGIZED OR WHEN AN EXPLOSIVE ATMOSPHERE MAY BE PRESENT
ENTRY SIZE: NPT 1/2"-14 OR M20xP1.5

www.spectrumcamera.com