

Spectrum F112-NBN73023BA-BD

Explosion-Proof Fixed Camera

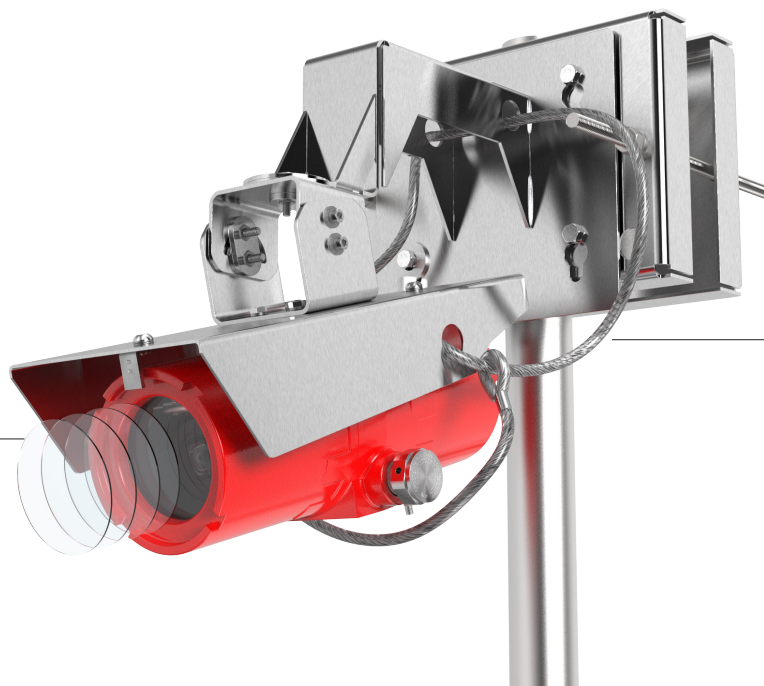
Key Features

- Excellent low-light performance
- Built-in intelligent video analytics
- Intelligent Dynamic Noise Reduction to reduce bandwidth and storage
- Extended Dynamic Range mode
- Front Glass Protective Film (F1XX-TO) included
- Reliable Securing Kit included
- Made in USA
- NDAA-Compliant
- cFMus, Class I/II/III, Division 1, Zone 1/21, IECEx, ATEX, INMETRO, UKCA and PESO approved
- Operating Temperature:
 - Zone System: -50°C to +50°C
 - (USA) Class/Division System: -40°C to +50°C



Description

Spectrum F112-NBN73023BA-BD explosion-proof network camera delivers clear images 24/7 - even at night or under low-light conditions. Enclosed in a red aluminum explosion-proof housing, it's certified (cFMus, IECEx, ATEX, INMETRO, UKCA and PESO) for use in potentially combustible environments. The exceptional starlight sensitivity enables the explosion-proof camera to work with a minimum of ambient light. The extended dynamic mode provides detailed images in scenes with challenging light.



F1XX-TO

Front Glass Protective Film
4-Layer peel off design


SF-RSK
Reliable Securing Kit

Specifications

Spectrum F112-NBN73023BA-BD


Sensor (1080p version)		General	
Sensor Type	1/2,8-inch CMOS	Casing	Aluminum
Effective Pixels	1920 (H) x 1080 (V); 2MP (approx)	Weight	6.4 kg (14 lb)
Sensor	BOSCH NBN-73023-BA	Dimensions	13.85 x 7.20 x 6.01 in (352 x 183 x 153 mm)
Starlight sensitivity		Power	57 VDC, 7.2W; 12-24 VAC/VDC 25W
Color	0.0069 lx	Storage Conditions	-30°C to +70°C Humidity 5-98% RH (non-condensing)
Mono	0.0008 lx	Operating Conditions	Zone system: -50°C to +50°C (USA) Class/Division system: -40°C to +50°C Humidity 10-100% RH (condensing)
Dynamic Range - HDR Mode		Warranty	5-year limited warranty, see spectrumcamera.com/warranty
High Dynamic Range (10-bit, 3x exposure)	120 dB WDR	Approvals	Hazardous Area FM3600, FM3615, ANSI/ISA/EN/IEC/CAN/CSA-C22.2 60079-0, ANSI/UL/EN/IEC/CAN/CSA-C22.2 60079-1, ANSI/UL/IEC/CAN/CSA-C22.2 60079-31 EMC EN 55032 Class A, EN 50121-4, IEC 62236-4, EN 55024, EN 61000-6-1, EN 61000-6-2, FCC Part 15 Subpart B Class A, ICES-003 Class A, VCCI Class A, RCM AS/NZS CISPR 32 Class A, KC KN32 Class A, KC KN35 Safety IEC/EN/UL 60950-22, IEC/EN/UL 62368-1, IS 13252 Environment IEC 60068-2-1, IEC 60068-2-2, IEC 60068-2-6, IEC 60068-2-14, IEC 60068-2-27, IEC 60068-2-78, IEC/EN 60529 IP66/IP67, IEC/EN 62262 IK10, NEMA 250 Type 4X, NEMA TS 2 (2.2.7-2.2.9) Network NIST SP500-267
Measured according to IEC 62676 Part 5	110 dB WDR	Explosion-proof Certifications	USA: Class I Division 1 Groups BCD T6 Ta= -40°C to +50°C, Type 4X, IP66 Class II/III Division 1 Groups EFG Ta= -40°C to +50°C, Type 4X, IP66 Certificate: FM18US0262X Canada: Class I Division 1 Groups BCD T6 Ta= -50°C to +50°C, Type 4X, IP66 Class II/III Division 1 Groups EFG Ta= -50°C to +50°C, Type 4X, IP66 Class I, Zone 1, AEx/Ex db IIB+H2 T5 Gb Ta = -50°C to +50°C, Type 4X, IP66 Zone 21, AEx/Ex tb IIIC T85°C Db Ta = -50°C to +50°C, Type 4X, IP66 Certificate: FM18CA0126X ATEX: II 2 G Ex db IIB+H2 T5 Gb Ta = -50°C to +50°C, IP66 II 2 D Ex tb IIIC T85°C Db Ta = -50°C to +50°C, IP66 Certificate: FM18ATEX0073X IECEX: Ex db IIB+H2 T5 Gb Ta = -50°C to +50°C, IP66 Ex tb IIIC T85°C Db Ta = -50°C to +50°C, IP66 Certificate: IECEX FMG 18.0029X INMETRO: Ex db IIB+H2 T5 Gb Ta = -50°C to +50°C, IP66 Ex tb IIIC T85°C Db Ta = -50°C to +50°C, IP66 Certificate: NCC 20.0084 X PESO: Ex db IIB+H2 T5 Gb Ta = -50°C to +50°C, IP66 Ex tb IIIC T85°C Db Ta = -50°C to +50°C, IP66 Certificate: IECEX FMG 18.0029X Approval No: A/P/HQ/MH/104/7899 (P578984)
Video Streaming			
Video compression	H.264 (MP); M-JPEG		
Video Content Analysis			
Analysis type	Intelligent Video Analytics		
Configuration	Silent VCA / Profile 1 / Profile 2 / Event Triggered / Scheduled		
Alarm rules (combinable)	Any object Object in field Crossing line Entering field Leaving field Loitering Following route Idle object Removed object Counter Occupancy Crowd detection Condition change Similarity search Tampering		
Object filters	Duration Size Aspect ration v/h Speed Direction Color Object classes (Upright persons, Bikes, Cars, Trucks)		
Lens Option: LVF-5003C-P2713			
Sensor Size	1/2.7 in.		
Resolution	3 MP		
Iris Range	F1..4 - close		
Focal length	2.7 - 13mm		
Lens Mount	CS		
Lens Connector	4 pin P-iris Control		
Dimensions	47mm x 75mm		
Zoom Control	Manual		
Focus Control	Manual		
Technical Specs of Camera with regard to lens			
Sensor Size	1/2.7 in.		
Resolution	1920(H) x 1080(V) (approx 2 MP)		
Lens Mount	CS (can use C with adaptor ring)		
Lens Connector	Standard 4 pin DC iris connector		
Lens Types	Standard DC-Iris auto-detect with override DC Iris Drive		

Approvals & Dimensions




SPECIALIZING IN EXPLOSION PROOF TECHNOLOGY
8935 ALMEDA GENOA RD. HOUSTON, TEXAS 77075 USA

SERIAL: _____



MADE IN USA

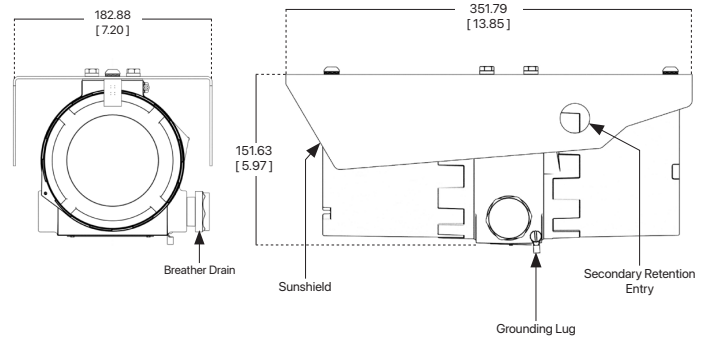
CERT NO. FM18US0262X & FM18CA0126X
MODEL: F112-NBN-73023BA-BD
INPUT: 802.3af (802.3at Type 1), 7.2 W;
HEATER: 12-24VDC/VAC, 25 W




US: Class I Division 1 Groups BCD T6 Ta = -40°C to +50°C, Type 4X, IP66
 Class II/III Division 1 Groups EFG T6 Ta = -40°C to +50°C, Type 4X, IP66
 Canada: Class I Division 1 Groups BCD T6 Ta = -50°C to +50°C, Type 4X, IP66
 Class II/III Division 1 Groups EFG T6 Ta = -50°C to +50°C, Type 4X, IP66
 Class I, Zone 1, AEx/Ex db IIB+H2 Gb Ta = -50°C to +50°C, Type 4X, IP66
 Zone 21, AEx/Ex tb IIIC T85°C Db Ta = -50°C to +50°C, Type 4X, IP66
 II 2 G Ex db IIB+H2 Gb Ta = -50°C to +50°C, IP66
 II 2 D Ex tb IIIC T85°C Db Ta = -50°C to +50°C, IP66

CODE	CONFIGURATION
T5	WITH BREATHEDRAIN
T6	WITHOUT BREATHEDRAIN

WARNING: DO NOT OPEN WHEN ENERGIZED OR WHEN AN EXPLOSIVE ATMOSPHERE MAY BE PRESENT. Install seal within 18 inches. For Zones, install seal at entry. WARNING - POTENTIAL ELECTROSTATIC CHARGING HAZARD - SEE INSTRUCTION. USE 80°C OR HIGHER RATED CONDUCTORS.
 AVERTISSEMENT: NE PAS OUVRIER LORSQU'ENERGISE OU QUAND UNE ATMOSPHERE EXPLOSIVE PEUT ETRE PRESENTE. Les joints de fermeture sont obligatoires dans une distance de 18 pouces. Pour les zones, installez un sceau à l'entrée. AVERTISSEMENT - RISQUE DE CHARGE ÉLECTROSTATIQUE POTENTIEL - VOIR LES INSTRUCTIONS. UTILISEZ DES CONDUCTEURS COTÉS DE 80 °C OÙ PLUS.






SPECIALIZING IN EXPLOSION PROOF TECHNOLOGY
8935 ALMEDA GENOA RD. HOUSTON, TEXAS 77075 USA

No. DE SÉRIE: _____

FABRICADO NO EUA

CERT NO. NCC 20.0084 X

MODELO: F112-NBN73023BA-BD
ALIMENTAÇÃO: 57 VDC, 7.2W;
12-24 VAC/VDC, 25W



Segurança

INMETRO COP 0034

NCC 20.0084 X

NCC 20.0084 X
 Ex db IIB+H2 T5 Gb Ta = -50°C to +50°C, IP66
 Ex tb IIIC T85°C Db Ta = -50°C to +50°C, IP66

ATENÇÃO - NÃO ABRA ENQUANTO ENERGIZADO OU QUANDO ATMOSFERA EXPLOSIVA PUDE ESTAR PRESENTE. INSTALAR O ANEL DE VEDAÇÃO DA ENTRADA. ATENÇÃO - RISCO POTENCIAL DE CARGAS ELETROSTÁTICAS - VER INSTRUÇÕES. USAR CONDUTORES ADEQUADOS PARA TEMPERATURAS ATÉ 80°C. ATENÇÃO - NÃO ABRIR QUANDO ENERGIZADO. ATENÇÃO - RISCO POTENCIAL DE CARGA ELETROSTÁTICA - VER INSTRUÇÕES